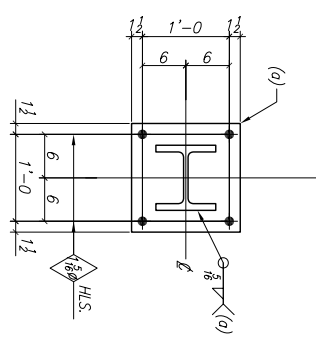
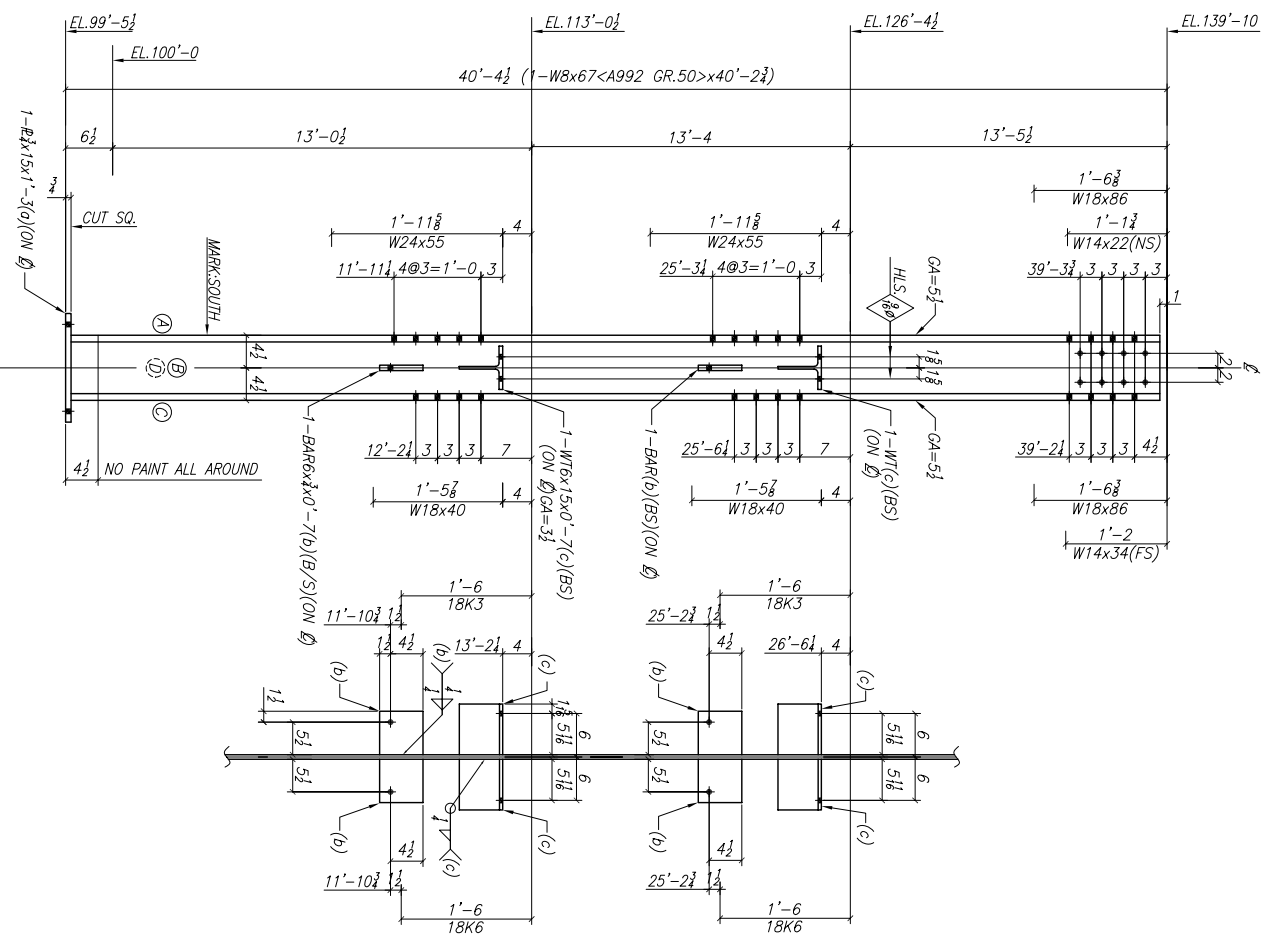
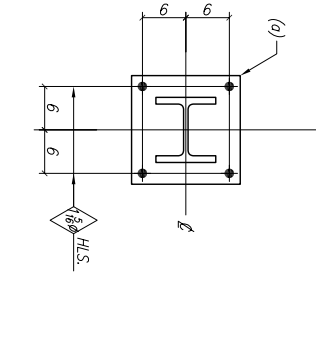
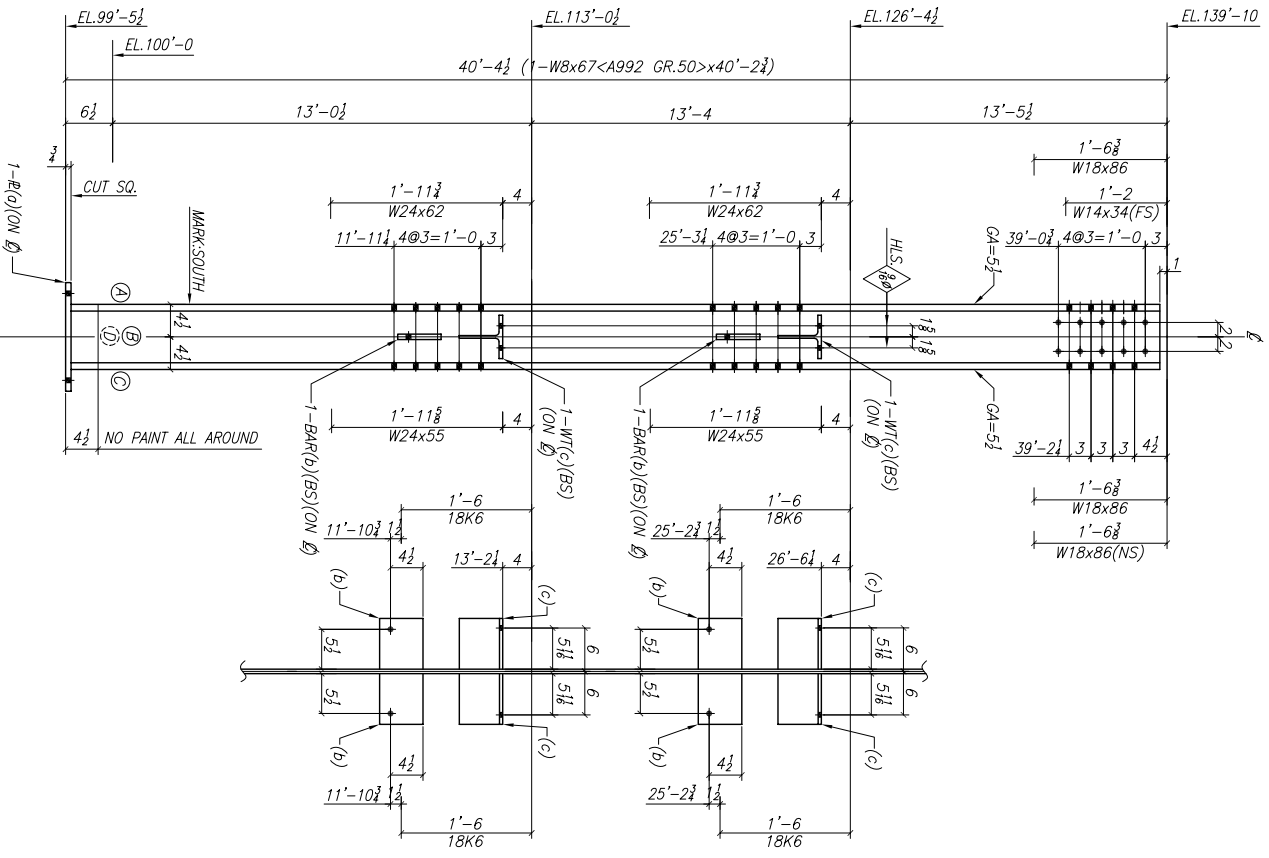


BILL OF MATERIAL

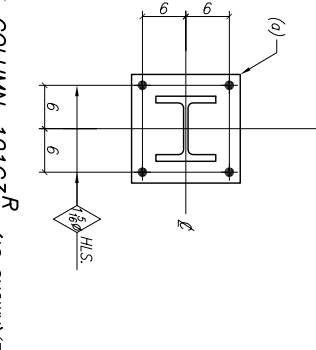
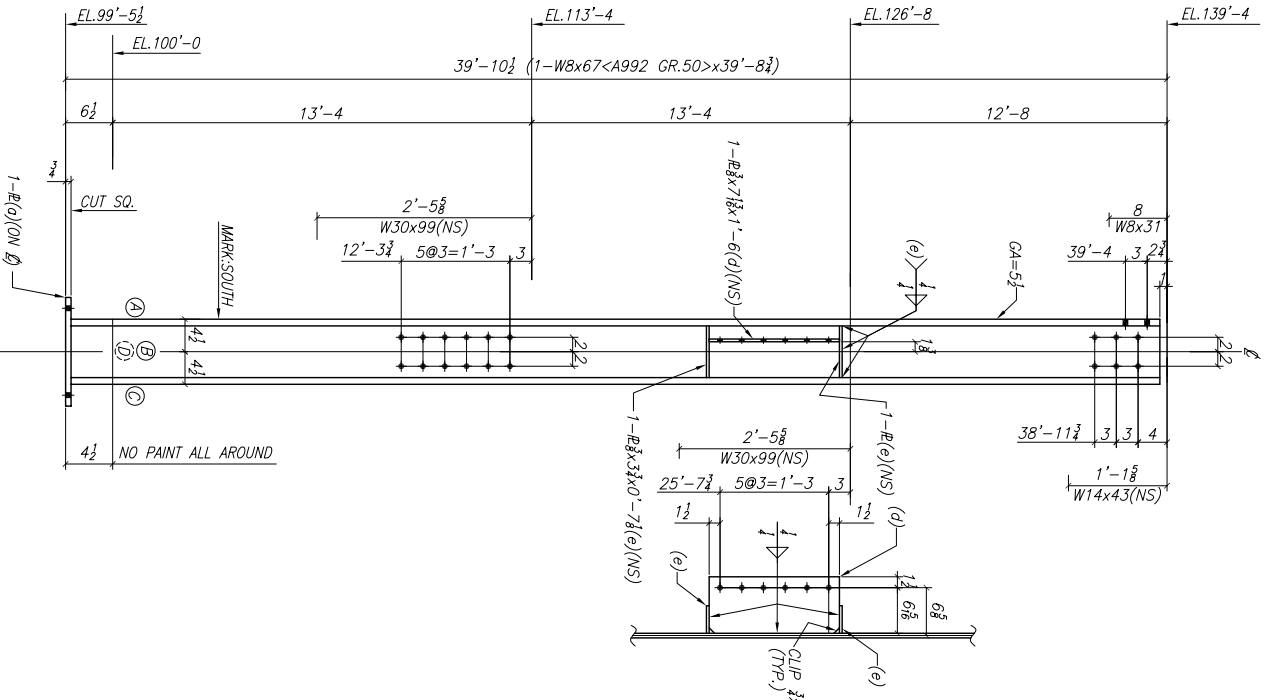
QUAN	MARK	FAB MARK	DESCRIPTION	LENGTH FT.	IN.	WEIGHT/NOTES																
ONE	10101		W8x67<A992 GR.50>	40	2 1/2	S.I.E.																
1		d101	#1x15	1	3																	
4		b101	BAR#x4	0	7																	
4		c101	W6x15<A992 GR.50>	0	7																	
ONE	10102		W8x67<A992 GR.50>	40	2 1/2	S.I.E.																
1		d101	#																			
4		b101	BAR																			
4		c101	W																			
2	101C3R/L		W8x67<A992 GR.50>	39	8 1/2	1-R/L-S.I.E.																
2		d101	#	1	6																	
2		d101	#8x7 1/8	0	7 1/2																	
4		e101	#8x3 1/2	0	7 1/2																	
<p>FIELD BOLT LIST (EXACT COUNT THIS DRAWING)</p> <table border="1"> <thead> <tr> <th>NO.</th> <th>SIZE</th> <th>QTY</th> <th>W/NOTE</th> </tr> </thead> <tbody> <tr> <td>56</td> <td>3/4" A325</td> <td>0</td> <td>2 W/NA&W</td> </tr> <tr> <td>116</td> <td>3/4" A325</td> <td>0</td> <td>2 1/2 W/NA&W</td> </tr> <tr> <td>10</td> <td>3/4" A325</td> <td>0</td> <td>2 1/2 W/NA&2W</td> </tr> </tbody> </table>							NO.	SIZE	QTY	W/NOTE	56	3/4" A325	0	2 W/NA&W	116	3/4" A325	0	2 1/2 W/NA&W	10	3/4" A325	0	2 1/2 W/NA&2W
NO.	SIZE	QTY	W/NOTE																			
56	3/4" A325	0	2 W/NA&W																			
116	3/4" A325	0	2 1/2 W/NA&W																			
10	3/4" A325	0	2 1/2 W/NA&2W																			



ONE-COLUMN-101C1 (B/1)
 4-3/8" A325N x2 1/2" LG. W/NA&W
 52-3/8" A325N x2 1/2" LG. W/NA&W
 4-3/8" A325N x2 1/2" LG. W/NA&2W



ONE-COLUMN-101C2 (D/1)
 4-3/8" A325N x2 1/2" LG. W/NA&W
 56-3/8" A325N x2 1/2" LG. W/NA&W
 6-3/8" A325N x2 1/2" LG. W/NA&2W



ONE-COLUMN-101C3R (AS SHOWN) (E/0.2)
 24-3/8" A325N x2 1/2" LG. W/NA&W
 4-3/8" A325N x2 1/2" LG. W/NA&W

ONE-COLUMN-101C3L (OPP HAND) (O.3/0.2)
 24-3/8" A325N x2 1/2" LG. W/NA&W
 4-3/8" A325N x2 1/2" LG. W/NA&W



REVISIONS

NO.	DATE	BY	REVISION
1	07/23/07	H.L.	RELEASED FOR FAB.
2	07/27/07	RZ	REVISED DIMENSIONS
3	09/07/07	RZ	REVISED DIMENSIONS

NO.	DATE	BY	REVISION
1	06/26/07	B.C.	DESIGNED BY RZ
2	06/21/07	B.C.	DATE AS NOTED
3	07/27/07	RZ	DATE AS NOTED

NO.	DATE	BY	REVISION
1	06/26/07	B.C.	DESIGNED BY RZ
2	06/21/07	B.C.	DATE AS NOTED
3	07/27/07	RZ	DATE AS NOTED

NO.	DATE	BY	REVISION
1	06/26/07	B.C.	DESIGNED BY RZ
2	06/21/07	B.C.	DATE AS NOTED
3	07/27/07	RZ	DATE AS NOTED

**COVERDALE ELEM. SCHOOL
 CINCINNATI, OHIO
 COLUMN DETAILS**

ARCHITECT
FEINKNOFF MACIOCE SCHAPPA
 ENGINEER
KOHRNS LONNEMANN HEIL
 CONTRACTOR
TRICON

